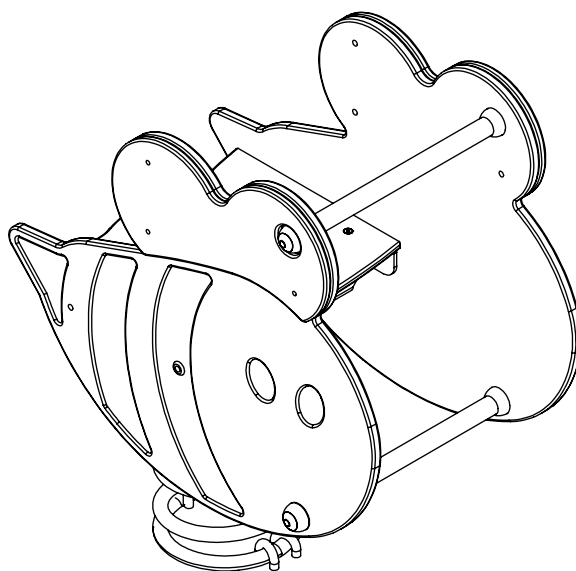
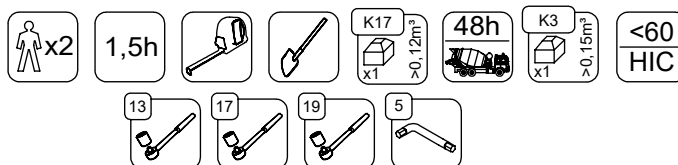


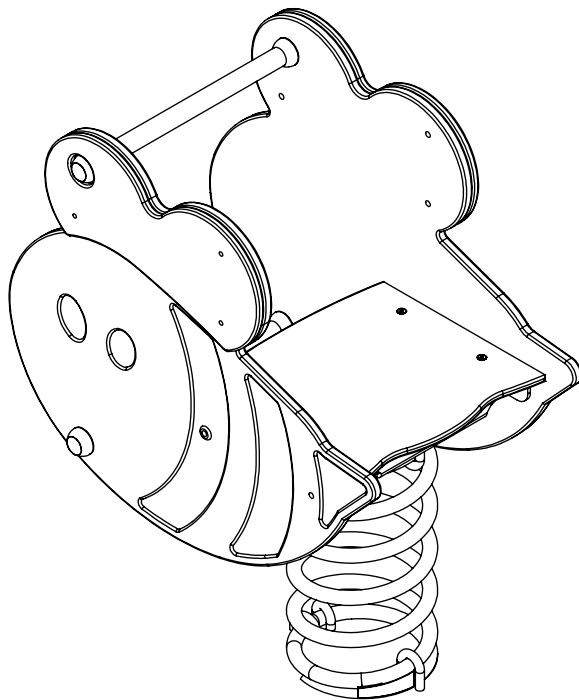
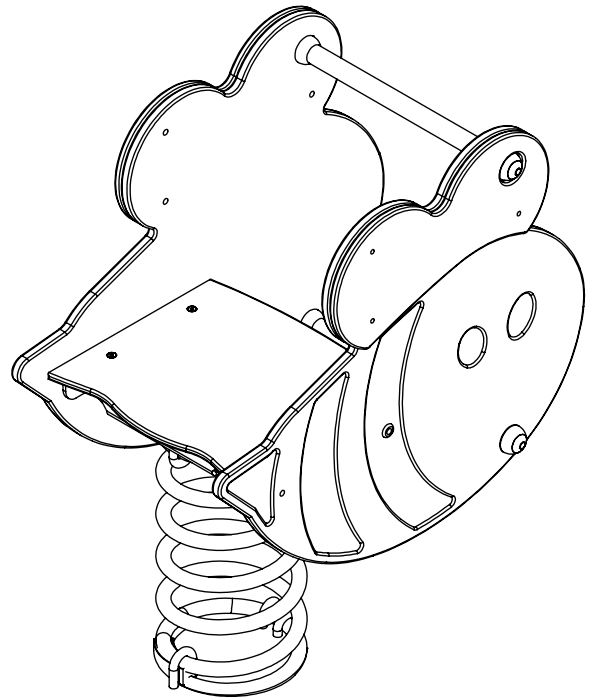
0608-2



v010
30.11.2021
B. K.
[cm]

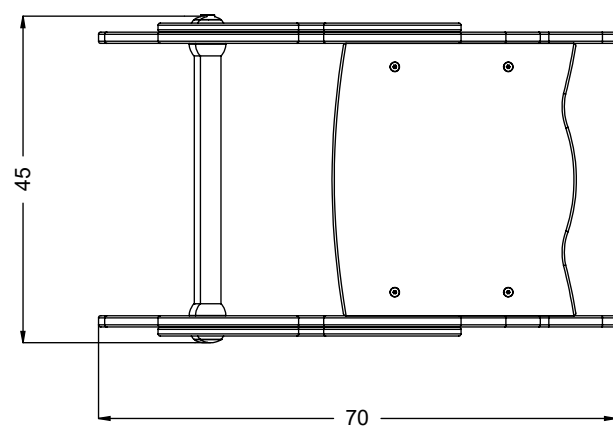
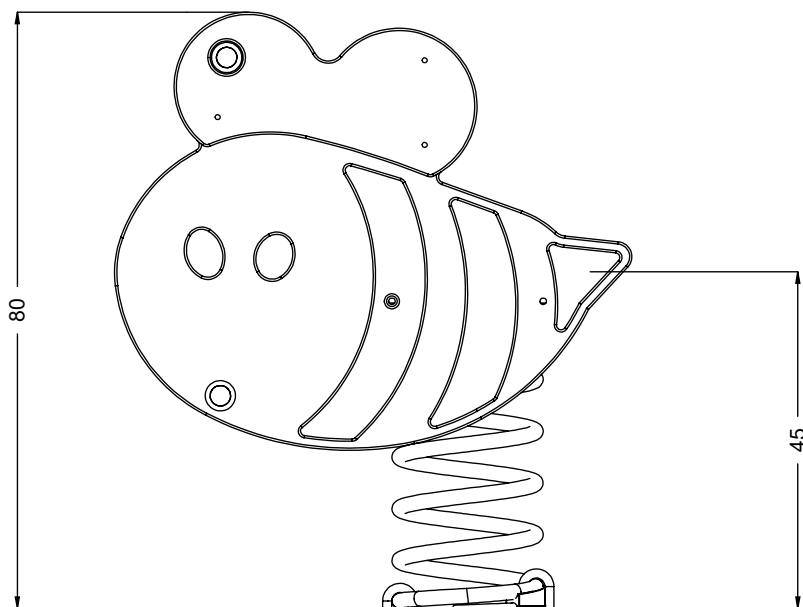


vinci
play



[cm]

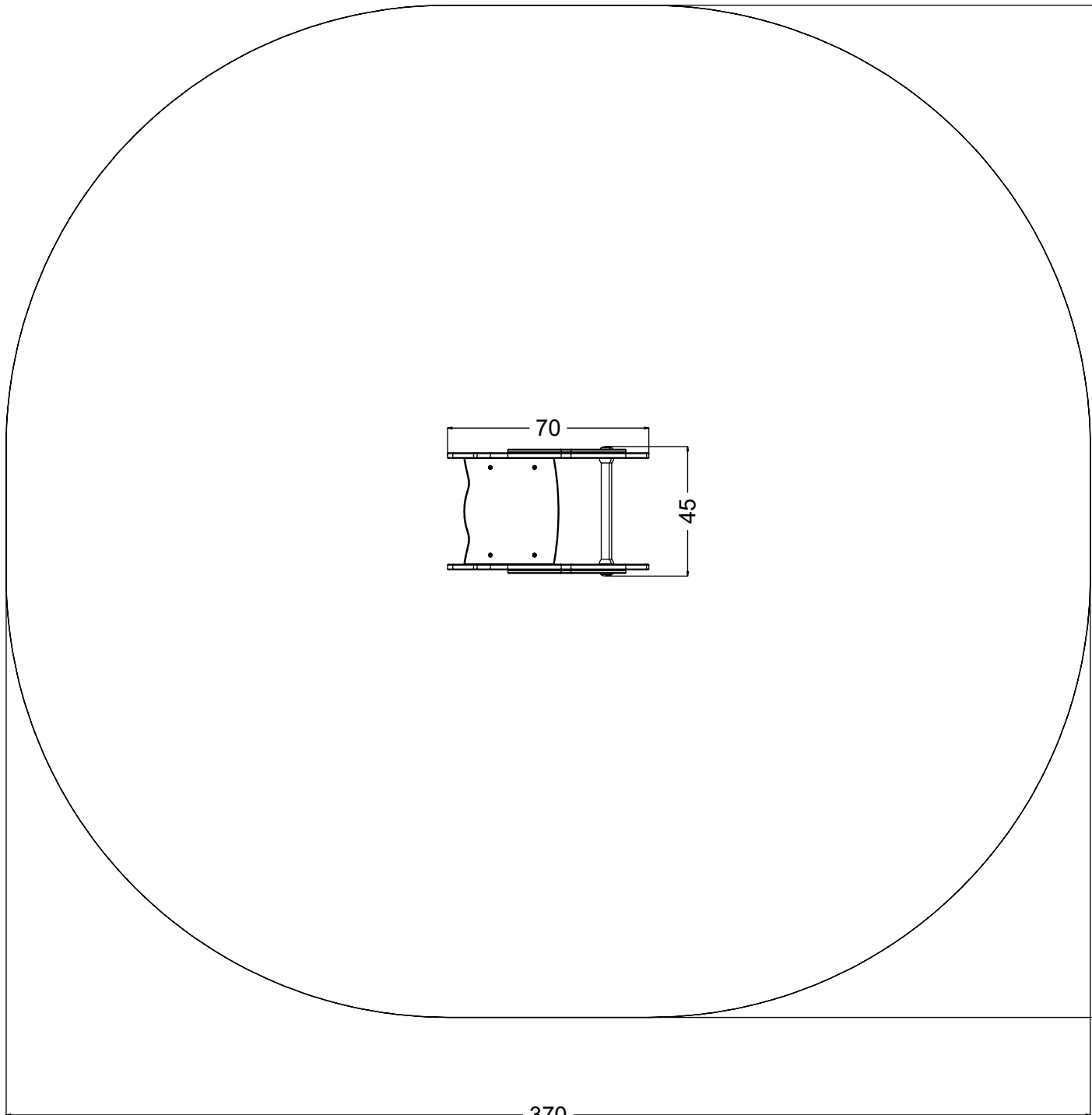
vinci
play



[cm]



vinci
play

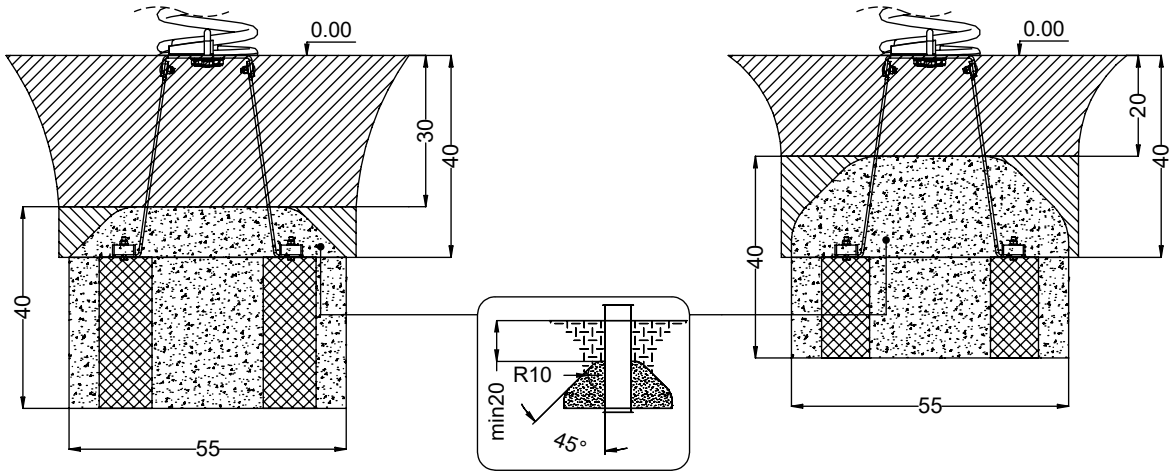


[cm]






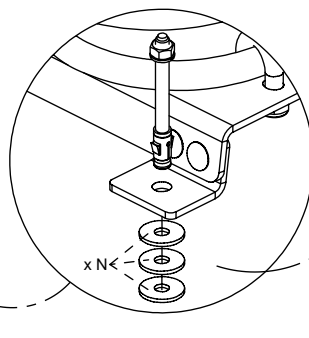
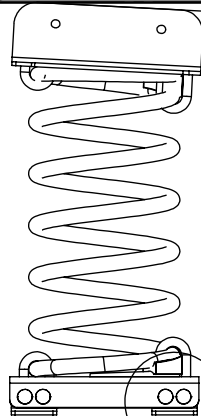
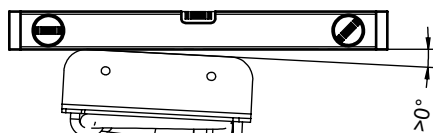
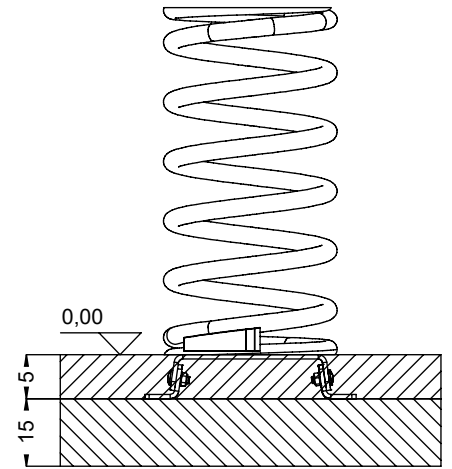
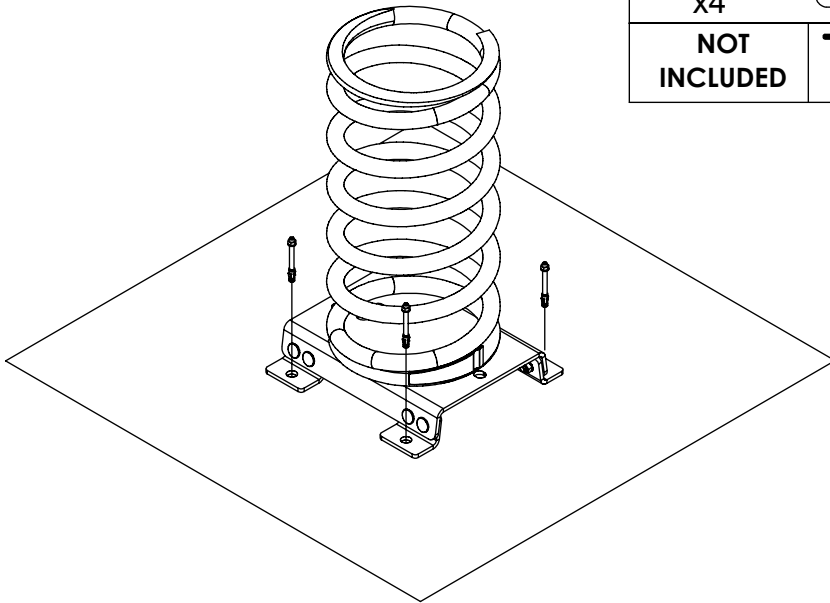
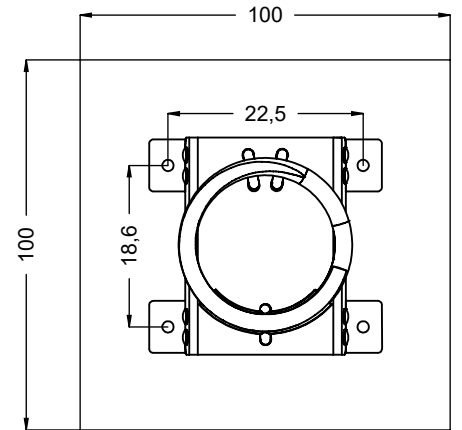
vinci
play

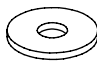

K17



K3

	K3
M10x120 x4	
NOT INCLUDED	




M10 DIN 9021
NOT INCLUDED 

[cm]



1,5h



>0,12m³



>0,15m³

vinci play



061256
x1



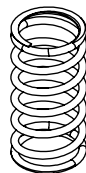
061257
x1



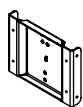
061258
x2



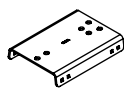
061144
x1



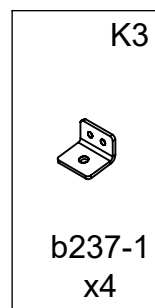
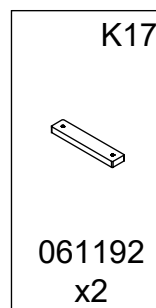
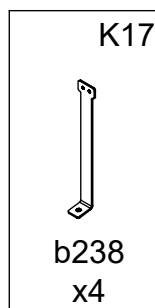
993119
x1



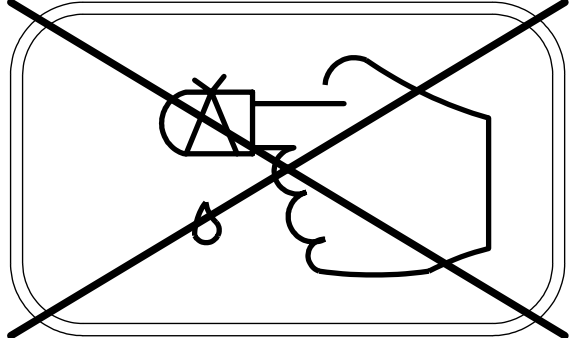
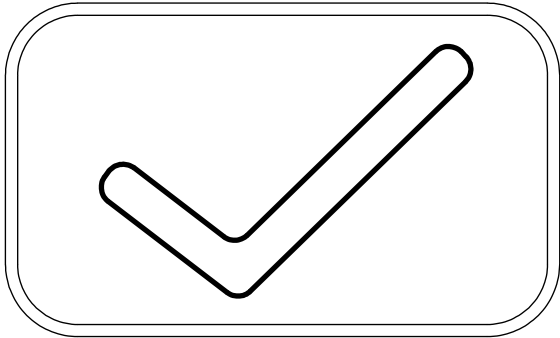
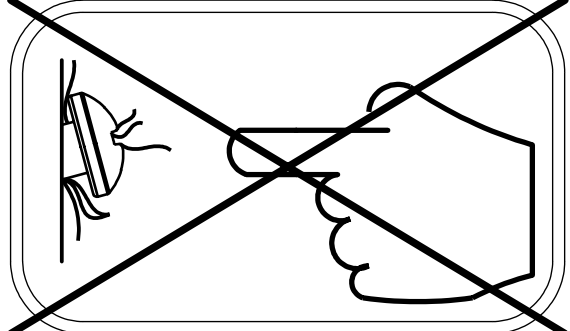
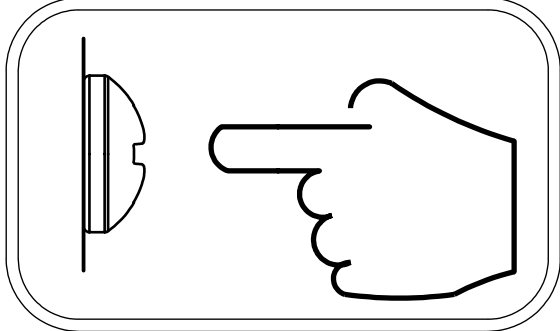
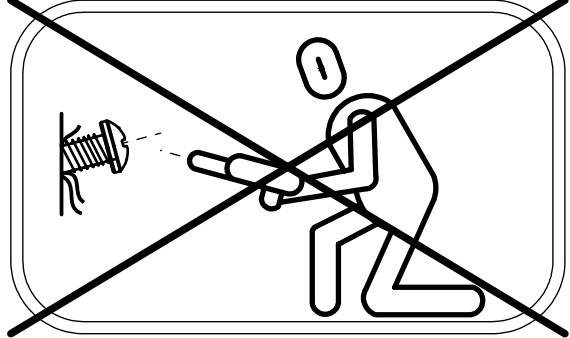
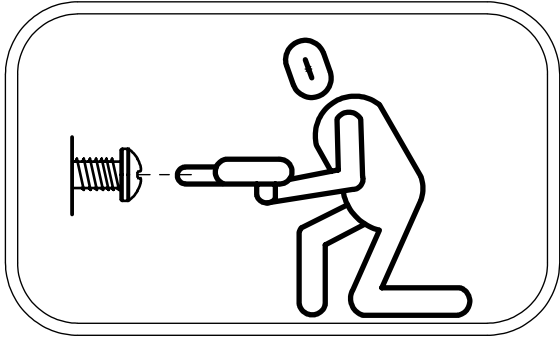
b233
x1



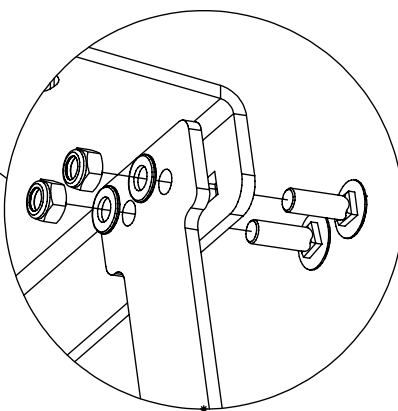
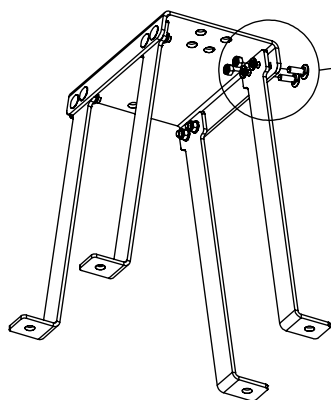
b239
x1



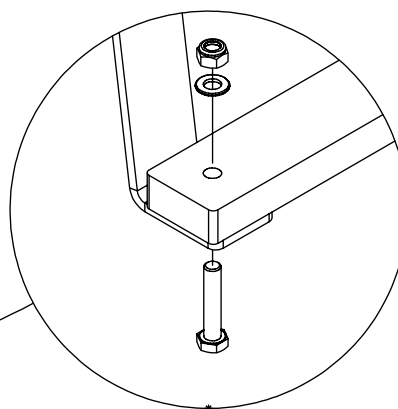
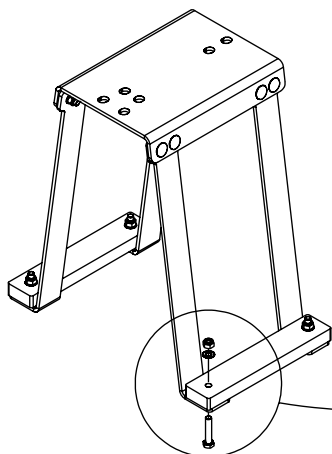
ST/INOX		HDPE	
1x	SP3 _(K17)	1x	SP10
1x	SP1 _(K3 K17)	1x	SP11
2x	SP2	1x	SP12
1x	V001	1x	SP24
		1x	SP96



K17

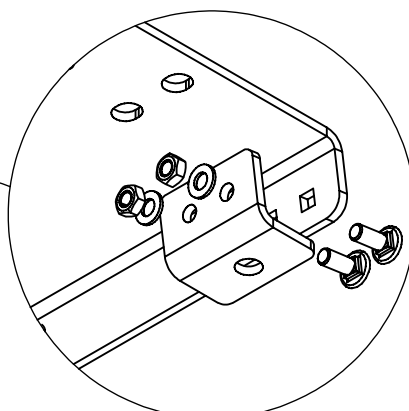
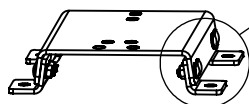


SP1 x1



SP3 x1

K3

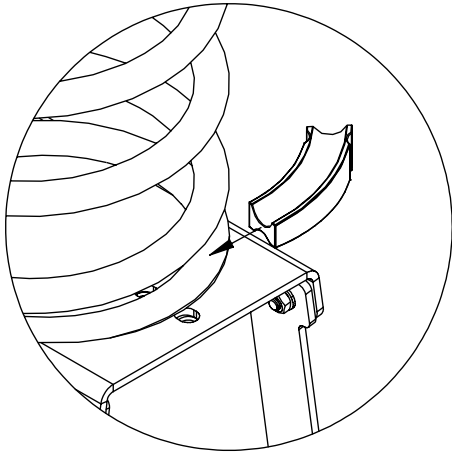


SP1 x1

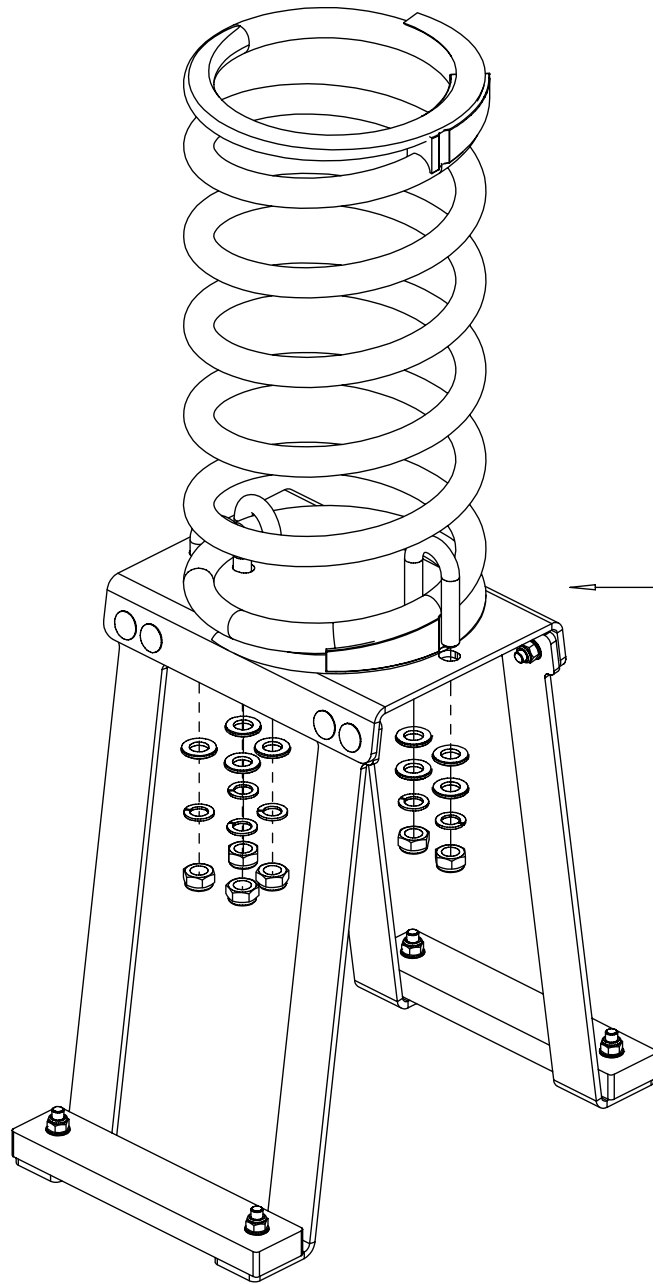
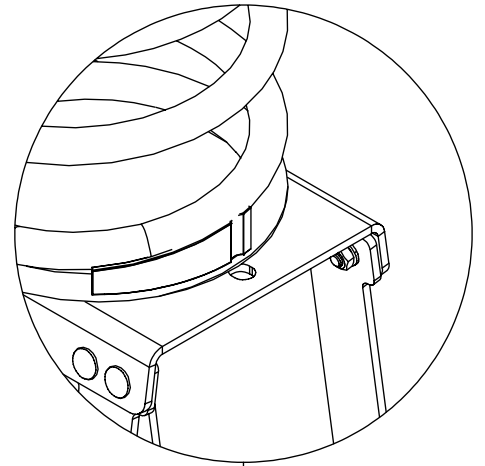
[cm]



vinci
play



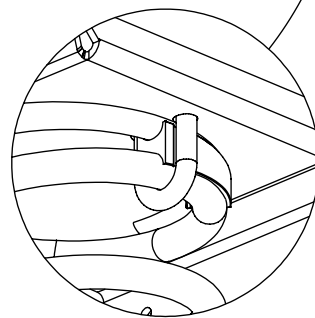
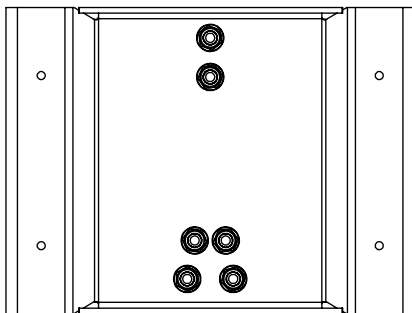
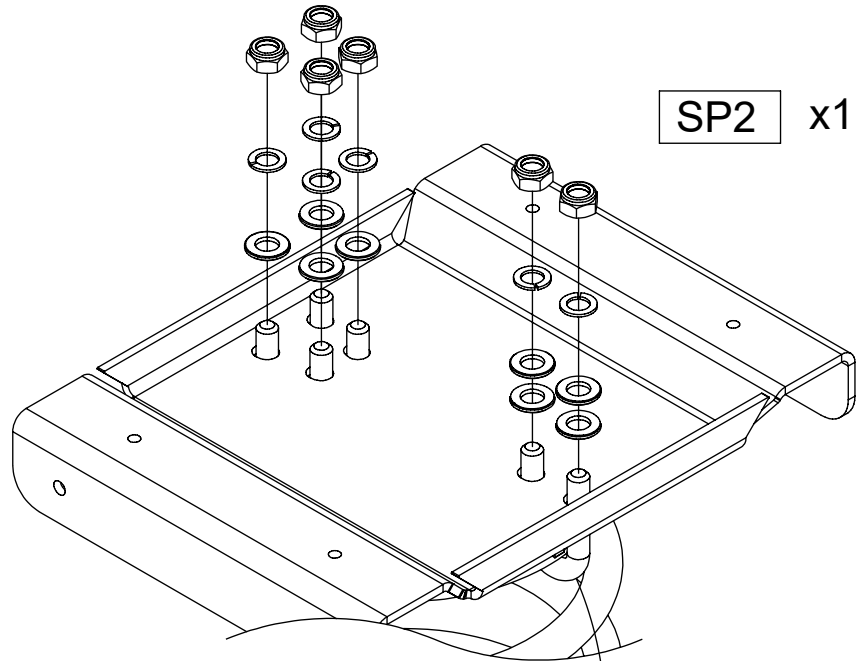
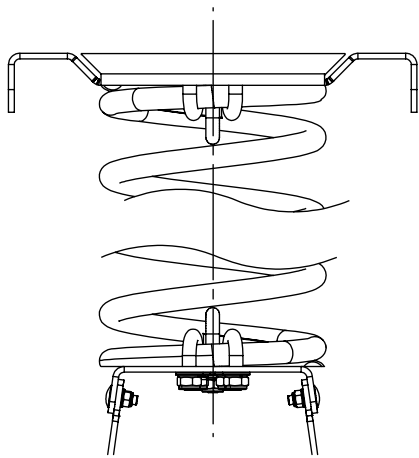
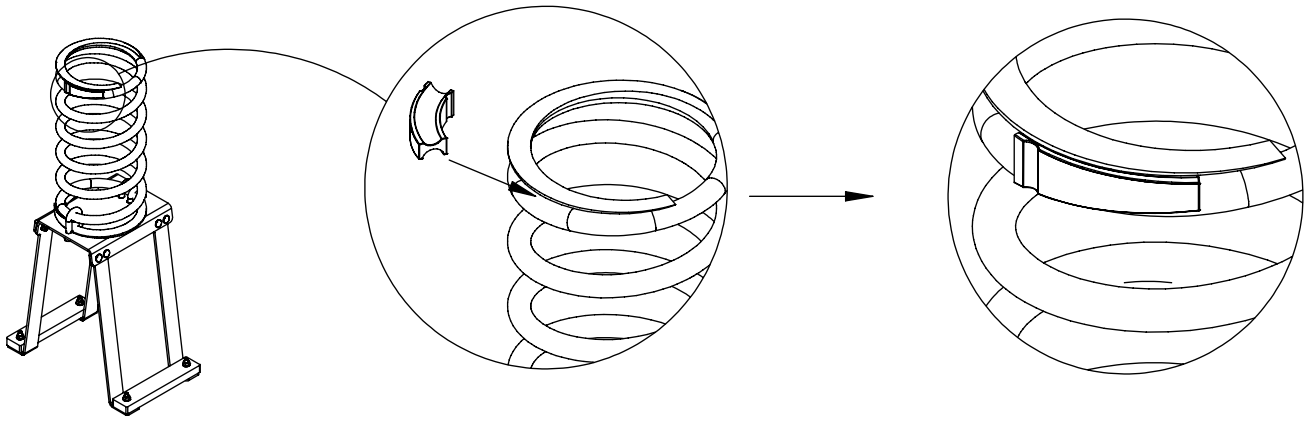
SP2 x1



[cm]



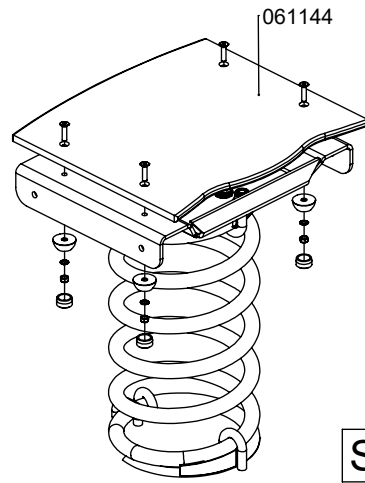
vinci
play



[cm]



vinci
play



SP10 x1

SP96 x1

SP12 x1

SP24 x1

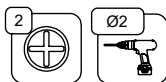
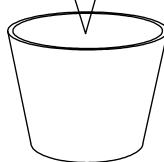
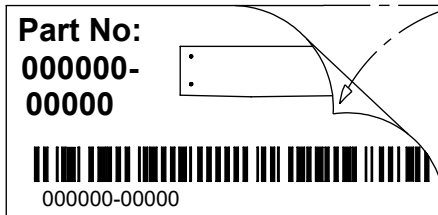
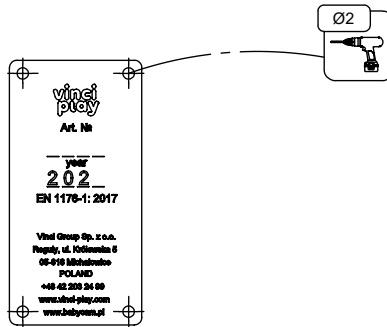
SP11 x1

[cm]



vinci
play

V001



vinci
play

[cm]